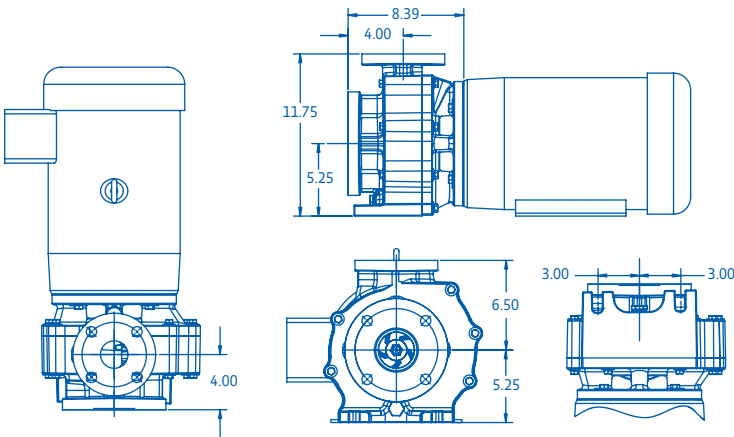


SEQUENCE® Titan

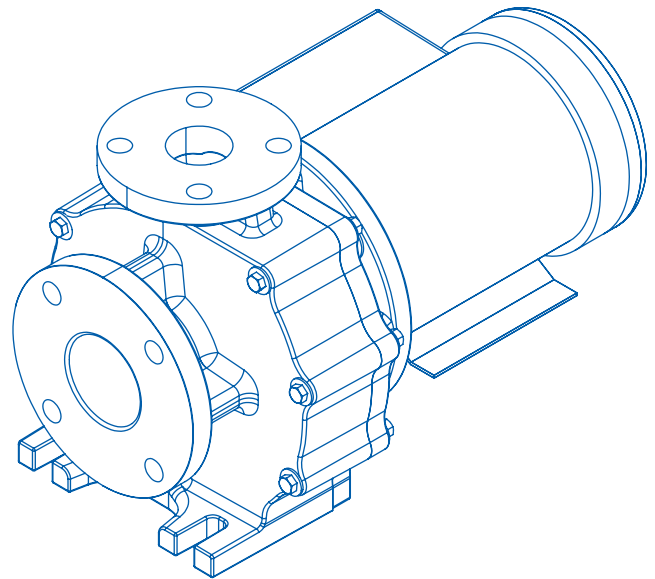


■ Titan Model 12000SEQ21

As large water features and high turnover requirements continue to gain popularity, the cost of energy does not! Introducing the Sequence® Titan series: Imagine 12,000 GPH for less than 845 watts! THE HIGHEST EFFICIENCY PUMPS available for water garden applications – where you need them most, in high flow! With flow rates between 12,000 and 32,000 GPH and head capabilities between 21 and 180 feet, the Sequence® Titan series is sure to cover most large scale water feature requirements. Sequence® Titan. Sequence® EFFICIENCY. It's the name of the game. **Available in 115 and 230 VAC. Supplied with 115V or 230V cordset. Made in the USA.**



*Dimensions and illustrations are approximate and for reference only



Flow At Total Dynamic Head

| Model | Max Flow GPH | Max Head Feet | Max Power Watts | Max Current Amps | Flow | | | | | Voltage | Motor Enclosure | |
|------------|--------------|---------------|-----------------|------------------|------|-------|-------|------|------|---------|-----------------|------|
| | | | | | 4' | 8' | 12' | 16' | 20' | | | |
| 12000SEQ21 | 12500 | 21 | 845 | 6.0 | GPM | 197 | 176 | 164 | 120 | 70 | 230 | TEFC |
| | | | | | GPH | 11820 | 10560 | 9840 | 7200 | 4200 | | |

Sustainable, Efficient

© 2009 SEQUENCE PUMPS A DIVISION OF MDM INC.



SEQUENCE 12000SEQ21

